

---

**User's  
Manual**

**WX1  
GateMX/MW**

---

**vigilantplant®**

---

## Foreword

This manual explains the functions and operations of GateMX/MW. To ensure correct use, please read this manual thoroughly before beginning operation. After reading the manual, keep it in a convenient location for quick reference whenever a question arises during operation.

GateMX/MW is a software program that monitors measured data from the MX100/MW100 Data Acquisition Unit and supplies the data to DAQLOGGER or remote monitors.

## Notes

- The contents of this manual are subject to change without prior notice as a result of continuing improvements to the instrument's performance and functions.
- Every effort has been made in the preparation of this manual to ensure the accuracy of its contents. However, should you have any questions or find any errors, please contact your nearest YOKOGAWA dealer.
- Copying or reproducing all or any part of the contents of this manual without the permission of Yokogawa Electric Corporation is strictly prohibited.
- Use of this software on more than one computer at the same time is prohibited. Use by more than one user is also prohibited.
- Transfer or lending of this software to any third party is prohibited.
- Yokogawa Electric Corporation provides no guarantees other than for physical deficiencies found on the original disk upon opening the product package.
- **License numbers will not be reissued. Please keep the license number in a safe place.**

## Trademarks

- DAQWORX, DAQLOGGER, and DAQEXPLORER are registered trademarks or trademarks of Yokogawa Electric Corporation.
- Microsoft and Windows are registered trademarks or trademarks of Microsoft Corporation in the United States and/or other countries.
- Adobe and Acrobat are registered trademarks or trademarks of Adobe Systems Incorporated.
- Company and product names that appear in this manual are registered trademarks or trademarks of their respective holders.
- The company and product names used in this manual are not accompanied by the registered trademark or trademark symbols (® and ™).

## Revisions

- 1st Edition: December 2003
- 2nd Edition: February 2005
- 3rd Edition: March 2006 (Cover title changed)
- 4th Edition: June 2007
- 5th Edition: March 2008

---

# Terms and Conditions of the Software License

## **NOTICE - PLEASE READ CAREFULLY BEFORE USE**

Thank you very much for purchasing this medium containing a software program and related documentation provided by Yokogawa Electric Corporation (hereinafter called "Yokogawa"), and the program contained, embedded, inserted or used in the medium (hereinafter called the "Yokogawa Software Program").

By opening this package or plastic wrapping (hereinafter called "Package") enclosing the Yokogawa Software Program, you acknowledge that you understand and agree to the "Terms and Conditions of the Software License" (hereinafter called "Terms and Conditions") which is written in the documentation and separately attached. Accordingly, the Terms and Conditions bind you.

The Yokogawa Software Program and its related documentation including ownership of copyright shall remain the exclusive property of Yokogawa or those third parties from whom sublicensed software in the Yokogawa Software Program is licensed.

Yokogawa hereby grants you permission to use the Yokogawa Software Program on the conditions that you agree to the Terms and Conditions before you open the Package and/or install it in or onto a computer.

IF YOU DO NOT AGREE TO THE TERMS AND CONDITIONS, YOU CANNOT OPEN THE PACKAGE, AND MUST IMMEDIATELY RETURN IT TO YOKOGAWA OR ITS DESIGNATED PARTY.

## **Terms and Conditions of the Software License**

Yokogawa Electric Corporation, a Japanese corporation (hereinafter called "Yokogawa"), grants permission to use this Yokogawa Software Program (hereinafter called the "Licensed Software") to the Licensee on the conditions that the Licensee agrees to the terms and conditions stipulated in Article 1 hereof.

You, as the Licensee (hereinafter called "Licensee"), shall agree to the following terms and conditions for the software license (hereinafter called the "Agreement") based on the use intended for the Licensed Software.

Please note that Yokogawa grants the Licensee permission to use the Licensed Software under the terms and conditions herein and in no event shall Yokogawa intend to sell or transfer the Licensed Software to the Licensee.

Licensed Software Name: GateMX/MW (Model WX1)

Number of License: 1

### **Article 1 (Scope Covered by these Terms and Conditions)**

- 1.1 The terms and conditions stipulated herein shall be applied to any Licensee who purchases the Licensed Software on the condition that the Licensee consents to agree to the terms and conditions stipulated herein.
- 1.2 The "Licensed Software" herein shall mean and include all applicable programs and documentation, without limitation, all proprietary technology, algorithms, and know-how such as a factor, invariant or process contained therein.

### **Article 2 (Grant of License)**

- 2.1 Yokogawa grants the Licensee, for the purpose of single use, non-exclusive and non-transferable license of the Licensed Software with the license fee separately agreed upon by both parties.
- 2.2 The Licensee is, unless otherwise agreed in writing by Yokogawa, not entitled to copy, change, sell, distribute, transfer, or sublicense the Licensed Software.
- 2.3 The Licensed Software shall not be copied in whole or in part except for keeping one (1) copy for back-up purposes. The Licensee shall secure or supervise the copy of the Licensed Software by the Licensee itself with great, strict, and due care.
- 2.4 In no event shall the Licensee dump, reverse assemble, reverse compile, or reverse engineer the Licensed Software so that the Licensee may translate the Licensed Software into other programs or change it into a man-readable form from the source code of the Licensed Software. Unless otherwise separately agreed by Yokogawa, Yokogawa shall not provide the Licensee the source code for the Licensed Software.
- 2.5 The Licensed Software and its related documentation shall be the proprietary property or trade secret of Yokogawa or a third party which grants Yokogawa the rights. In no event shall the Licensee be transferred, leased, sublicensed, or assigned any rights relating to the Licensed Software.
- 2.6 Yokogawa may use or add copy protection in or onto the Licensed Software. In no event shall the Licensee remove or attempt to remove such copy protection.
- 2.7 The Licensed Software may include a software program licensed for re-use by a third party (hereinafter called "Third Party Software", which may include any software program from affiliates of Yokogawa made or coded by themselves.) In the case that Yokogawa is granted permission to sublicense to third parties by any licensors (sub-licensor) of the Third Party Software pursuant to different terms and conditions than those stipulated in this Agreement, the Licensee shall observe such terms and conditions of which Yokogawa notifies the Licensee in writing separately.
- 2.8 In no event shall the Licensee modify, remove or delete a copyright notice of Yokogawa and its licensor contained in the Licensed Software, including any copy thereof.

### **Article 3 (Restriction of Specific Use)**

- 3.1 The Licensed Software shall not be intended specifically to be designed, developed, constructed, manufactured, distributed or maintained for the purpose of the following events:
  - a) Operation of any aviation, vessel, or support of those operations from the ground,;
  - b) Operation of nuclear products and/or facilities,;
  - c) Operation of nuclear weapons and/or chemical weapons and/or biological weapons; or
  - d) Operation of medical instrumentation directly utilized for humankind or the human body.
- 3.2 Even if the Licensee uses the Licensed Software for the purposes in the preceding Paragraph 3.1, Yokogawa has no liability to or responsibility for any demand or damage arising out of the use or operations of the Licensed Software, and the Licensee agrees, on its own responsibility, to solve and settle the claims and damages and to defend, indemnify or hold Yokogawa totally harmless, from or against any liabilities, losses, damages and expenses (including fees for recalling the Products and reasonable attorney's fees and court costs), or claims arising out of and related to the above-said claims and damages.

### **Article 4 (Warranty)**

- 4.1 The Licensee shall agree that the Licensed Software shall be provided to the Licensee on an "as is" basis when delivered. If defect(s), such as damage to the medium of the Licensed Software, attributable to Yokogawa is found, Yokogawa agrees to replace, free of charge, any Licensed Software on condition that the defective Licensed Software shall be returned to Yokogawa's specified authorized service facility within seven (7) days after opening the Package at the Licensee's expense. As the Licensed Software is provided to the Licensee on an "as is" basis when delivered, in no event shall Yokogawa warrant that any information on or in the Licensed Software, including without limitation, data on computer programs and program listings, be completely accurate, correct, reliable, or the most updated.
- 4.2 Notwithstanding the preceding Paragraph 4.1, when third party software is included in the Licensed Software, the warranty period and terms and conditions that apply shall be those established by the provider of the third party software.

- 4.3When Yokogawa decides in its own judgement that it is necessary, Yokogawa may from time to time provide the Licensee with Revision upgrades and Version upgrades separately specified by Yokogawa (hereinafter called "Updates").
- 4.4Notwithstanding the preceding Paragraph 4.3, in no event shall Yokogawa provide Updates where the Licensee or any third party conducted renovation or improvement of the Licensed Software.
- 4.5THE FOREGOING WARRANTIES ARE EXCLUSIVE AND IN LIEU OF ALL OTHER WARRANTIES OF QUALITY AND PERFORMANCE, WRITTEN, ORAL, OR IMPLIED, AND ALL OTHER WARRANTIES INCLUDING ANY IMPLIED WARRANTIES OF MERCHANTABILITY OR FITNESS FOR A PARTICULAR PURPOSE ARE HEREBY DISCLAIMED BY YOKOGAWA AND ALL THIRD PARTIES LICENSING THIRD PARTY SOFTWARE TO YOKOGAWA.
- 4.6Correction of nonconformity in the manner and for the period of time provided above shall be the Licensee's sole and exclusive remedy for any failure of Yokogawa to comply with its obligations and shall constitute fulfillment of all liabilities of Yokogawa and any third party licensing the Third Party Software to Yokogawa (including any liability for direct, indirect, special, incidental or consequential damages) whether in warranty, contract, tort (including negligence but excluding willful conduct or gross negligence by Yokogawa) or otherwise with respect to or arising out of the use of the Licensed Software.

### Article 5 (Infringement)

- 5.1If and when any third party should demand injunction, initiate a law suit, or demand compensation for damages against the Licensee under patent right (including utility model right, design patent, and trade mark), copy right, and any other rights relating to any of the Licensed Software, the Licensee shall notify Yokogawa in writing to that effect without delay.
- 5.2In the case of the preceding Paragraph 5.1, the Licensee shall assign to Yokogawa all of the rights to defend the Licensee and to negotiate with the claiming party. Furthermore, the Licensee shall provide Yokogawa with necessary information or any other assistance for Yokogawa's defense and negotiation. If and when such a claim should be attributable to Yokogawa, subject to the written notice to Yokogawa stated in the preceding Paragraph 5.1, Yokogawa shall defend the Licensee and negotiate with the claiming party at Yokogawa's cost and expense and be responsible for the final settlement or judgment granted to the claiming party in the preceding Paragraph 5.1.
- 5.3When any assertion or allegation of the infringement of the third party's rights defined in Paragraph 5.1 is made, or when at Yokogawa's judgment there is possibility of such assertion or allegation, Yokogawa will, at its own discretion, take any of the following countermeasures at Yokogawa's cost and expense.
- a) To acquire the necessary right from a third party which has lawful ownership of the right so that the Licensee will be able to continue to use the Licensed Software;
  - b) To replace the Licensed Software with an alternative one which avoids the infringement; or
  - c) To remodel the Licensed Software so that the Licensed Software can avoid the infringement of such third party's right.
- 5.4If and when Yokogawa fails to take either of the countermeasures as set forth in the preceding subparagraphs of Paragraph 5.3, Yokogawa shall indemnify the Licensee only by paying back the price amount of the Licensed Software which Yokogawa has received from the Licensee. THE FOREGOING PARAGRAPHS STATE THE ENTIRE LIABILITY OF YOKOGAWA AND ANY THIRD PARTY LICENSING THIRD PARTY SOFTWARE TO YOKOGAWA WITH RESPECT TO INFRINGEMENT OF THE INTELLECTUAL PROPERTY RIGHTS INCLUDING BUT NOT LIMITED TO, PATENT AND COPYRIGHT.

### Article 6 (Liabilities)

- 6.1If and when the Licensee should incur any damage relating to or arising out of the Licensed Software or service that Yokogawa has provided to the Licensee under the conditions herein due to a reason attributable to Yokogawa, Yokogawa shall take actions in accordance with this Agreement. However, in no event shall Yokogawa be liable or responsible for any special, incidental, consequential and/or indirect damage, whether in contract, warranty, tort, negligence, strict liability, or otherwise, including, without limitation, loss of operational profit or revenue, loss of use of the Licensed Software, or any associated products or equipment, cost of capital, loss or cost of interruption of the Licensee's business, substitute equipment, facilities or services, downtime costs, delays, and loss of business information, or claims of customers of Licensee or other third parties for such or other damages. Even if Yokogawa is liable or responsible for the damages attributable to Yokogawa and to the extent of this Article 6, Yokogawa's liability for the Licensee's damage shall not exceed the price amount of the Licensed Software or service fee which Yokogawa has received. Please note that Yokogawa shall be released or discharged from part or all of the liability under this Agreement if the Licensee modifies, remodels, combines with other software or products, or causes any deviation from the basic specifications or functional specifications, without Yokogawa's prior written consent.
- 6.2All causes of action against Yokogawa arising out of or relating to this Agreement or the performance or breach hereof shall expire unless Yokogawa is notified of the claim within one (1) year of its occurrence.
- 6.3In no event, regardless of cause, shall Yokogawa assume responsibility for or be liable for penalties or penalty clauses in any contracts between the Licensee and its customers.

### Article 7 (Limit of Export)

Unless otherwise agreed by Yokogawa, the Licensee shall not directly or indirectly export or transfer the Licensed Software to any countries other than those where Yokogawa permits export in advance.

### Article 8 (Term)

This Agreement shall become effective on the date when the Licensee receives the Licensed Software and continues in effect unless or until terminated as provided herein, or the Licensee ceases using the Licensed Software by itself or with Yokogawa's thirty (30) days prior written notice to the Licensee.

### Article 9 (Injunction for Use)

During the term of this Agreement, Yokogawa may, at its own discretion, demand injunction against the Licensee in case that Yokogawa deems that the Licensed Software is used improperly or under severer environments other than those where Yokogawa has first approved, or any other condition which Yokogawa may not permit.

### Article 10 (Termination)

Yokogawa, at its sole discretion, may terminate this Agreement without any notice or reminder to the Licensee if the Licensee violates or fails to perform this Agreement. However, Articles 5, 6, and 11 shall survive even after the termination.

### Article 11 (Jurisdiction)

Any dispute, controversies, or differences between the parties hereto as to interpretation or execution of this Agreement shall be resolved amicably through negotiation between the parties upon the basis of mutual trust. Should the parties fail to agree within ninety (90) days after notice from one of the parties to the other, both parties hereby irrevocably submit to the exclusive jurisdiction of the Tokyo District Court (main office) in Japan for settlement of the dispute.

### Article 12 (Governing Law)

This Agreement shall be governed by and construed in accordance with the laws of Japan. The Licensee expressly agrees to waive absolutely and irrevocably and to the fullest extent permissible under applicable law any rights against the laws of Japan which it may have pursuant to the Licensee's local law.

### Article 13 (Severability)

In the event that any provision hereof is declared or found to be illegal by any court or tribunal of competent jurisdiction, such provision shall be null and void with respect to the jurisdiction of that court or tribunal and all the remaining provisions hereof shall remain in full force and effect.

---

# How to Use This Manual

## Structure of This Manual

This user's manual consists of the following sections.

| Chapter | Title  | Description   |
|---------|--|---|
| 1       | <b>Overview</b>                              | Gives an overview of the GateMX/MW functions. Describes the PC system requirements and system configuration that are required to use GateMX/MW. |
| 2       | <b>Operating Procedure</b>                   | Describes the operating procedures of GateMX/MW.  |
| 3       | <b>Error Messages and Corrective Actions</b> | Describes the error messages and their corrective actions.  |
| Index   |  | An alphabetical index of the manual's contents.   |

## Scope of the Manual

This manual does not cover the basic operations of Windows XP, Windows 2000, and Windows Vista. For information regarding the basic operations of Windows, see the user's guide that came with Windows.

### Conventions Used in This Manual

- **Unit**

- K Denotes 1024. Example: 10 KB
- M Denotes 1024 K. Example: 10 MB
- G Denotes 1024 M. Example: 2 GB

- **Bold Characters**

Bold characters are used for characters displayed on the software program screen.

- **Subheadings**

On pages that describe the operating procedure in Chapter 2, the following symbols are used to distinguish the procedure from their explanations.

**Procedure**

This subsection contains the operating procedure used to carry out the function described in the current section. All procedures are written with inexperienced users in mind; experienced users may not need to carry out all the steps.

**Note**

Calls attention to information that is important for proper operation of the instrument.

# Contents

1

|   |    |
|---|----|
| Terms and Conditions of the Software License..... | ii |
| How to Use This Manual.....                       | iv |

2

## Chapter 1 Overview

|   |     |
|---|-----|
| 1.1 Functional Overview of the GateMX/MW..... | 1-1 |
| Features.....                                 | 1-1 |
| Procedure .....                               | 1-1 |
| 1.2 System Overview.....                      | 1-2 |
| Software Requirements .....                   | 1-2 |
| Hardware Requirements.....                    | 1-2 |
| System Configuration .....                    | 1-3 |
| Software Configuration .....                  | 1-3 |

3

## Chapter 2 Operating Procedure

|  |      |
|--|------|
| 2.1 Starting and Exiting GateMX/MW .....   | 2-1  |
| 2.2 Registering MX100s/MW100s .....  | 2-2  |
| 2.4 Starting/Stopping Data Monitoring.....   | 2-6  |
| 2.5 Connecting to GateMX/MW from DAQLOGGER, Remote Monitor, or Add-on Software ... | 2-9  |
| Connecting to GateMX/MW from DAQLOGGER.....  | 2-9  |
| Connecting to GateMX/MW from the remote monitor.....                               | 2-9  |
| Connecting to GateMX/MW from the Add-on Software .....                             | 2-9  |
| 2.6 Changing the Port Number and Saving the Settings.....                          | 2-10 |
| 2.7 Showing Version Information .....  | 2-11 |

## Chapter 3 Error Messages and Corrective Actions

|   |     |
|---|-----|
| 3.1 Error Messages and Corrective Actions ..... | 3-1 |
|---|-----|

## Index

Index

# 1.1 Functional Overview of the GateMX/MW

GateMX/MW is a software program that monitors data from the MX100/MW100 Data Acquisition Unit (MX100/MW100) and supplies the data to DAQLOGGER or remote monitors (software programs). GateMX/MW enables you to monitor and logging the data that can be measured by the MX100/MW100 using DAQLOGGER or a remote monitor.

### Note

DAQLOGGER is a software application that can connect various recorders ( $\mu$ R, VR, DARWIN, DX, MV, and CX models) and a PC for you to scan, record, and monitor the data.

Remote Monitor is a software application that is included in the DAQLOGGER Client Package or DAQ32Plus Client Package. It can be used to monitor the data that has been acquired by the recorder or data acquisition software programs. Add-on software includes a variety of programs for customized monitors, network remote monitors, data acquisition and saving on a group basis, monitoring of measured data and triggered data acquisition, and other functions.

## Features

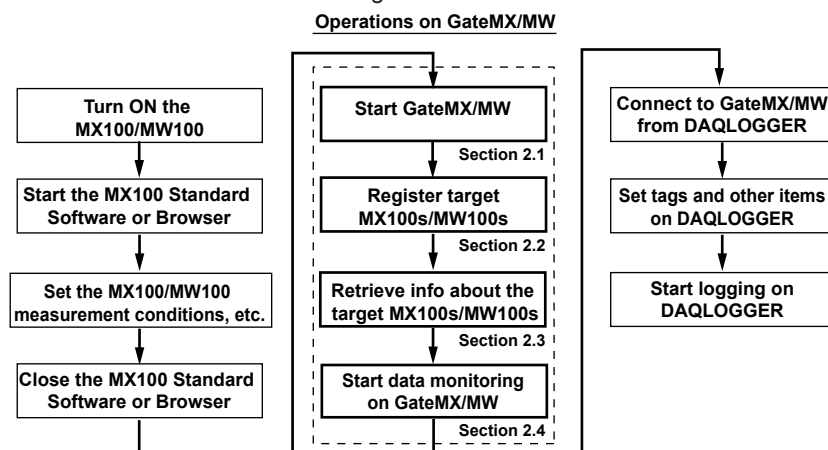
- Up to 32 MX100s/MW100s can be connected.  
The maximum number of connections from client programs (DAQLOGGER and remote monitors) is also 32.
- The monitor interval matches the measurement interval of the connected MX100.  
\* However, the fastest interval on DAQLOGGER is 1 second.
- The maximum number of data points that can be held per channel is 1800.

### Note

- GateMX/MW does not contain functions for configuring the MX100/MW100.  
To configure the MX100, use the MX100 Standard Software that comes standard with the MX100 or MXLOGGER, a software program sold separately. Enter MW100 settings using the browser.
- GateMX/MW does not contain computation functions.
- GateMX/MW does not contain service functions that are available on other Gate programs.
- If you use the MX100 Standard Software or MXLOGGER, GateMX100 or GateMX/MW are displayed under the Software columns.

## Procedure

To scan and record data from MX100/MW100 on DAQLOGGER, carry out the procedure given below. If you are monitoring the data on a remote monitor, follow the instructions below and start the data monitoring on GateMX/MW.



### Note

If you are changing the module configuration on the target MX100/MW100, stop the data monitoring on GateMX/MW and turn off the MX100/MW100 beforehand. After changing the module configuration, turn ON the MX100/MW100 and reconfigure using the MX100 Standard Software or the browser.

---

## 1.2 System Overview

### Software Requirements

Run DAQWORX under any of the following operating systems.

- Windows 2000 Professional SP4
- Windows XP Home Edition SP2
- Windows XP Professional SP2 (excluding Windows XP Professional x64 Edition)
- Windows Vista Home Premium (excluding the 64-bit edition)
- Windows Vista Business (excluding the 64-bit edition)

The language displayed by the software under different language versions of the OS are as follows.

| OS Language | Software Language |
|-------------|-------------------|
| Japanese    | Japanese          |
| Other       | English           |

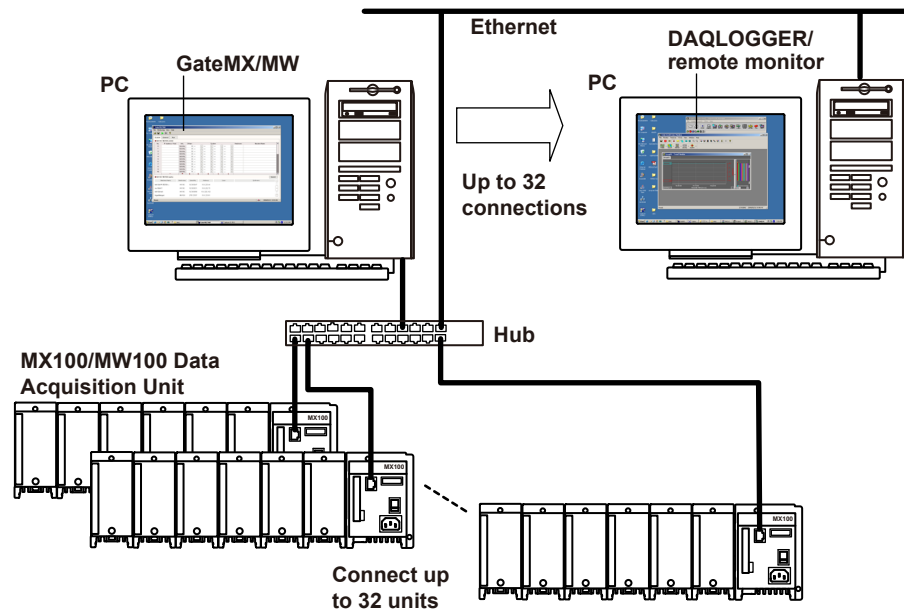
### Hardware Requirements

The following hardware is required for running GateMX/MW.

- PC: A PC that runs one of the OS above, and that meets the following CPU and memory requirements.  
**When Using Windows 2000 or Windows XP**  
Pentium 4, 1.6 GHz or faster  
512 MB or more of memory  
**When Using Windows Vista**  
Pentium 4, 3 GHz or faster  
2GB or more of memory
- Free disk space: 200 MB or more
- Communication device: Ethernet port supported by the OS
- CD-ROM drive: The CD-ROM drive is needed to install the software.
- Peripheral devices: Mouse supported by the OS
- Monitor: **When Using Windows 2000 or Windows XP**  
A monitor supported by the OS of 1024 × 768 dpi or higher and 65,536 colors or more.  
**When Using Windows Vista**  
A video card recommended for use with Vista and a monitor supported by the OS of 1024 × 768 dpi or higher and 65,536 colors or more.

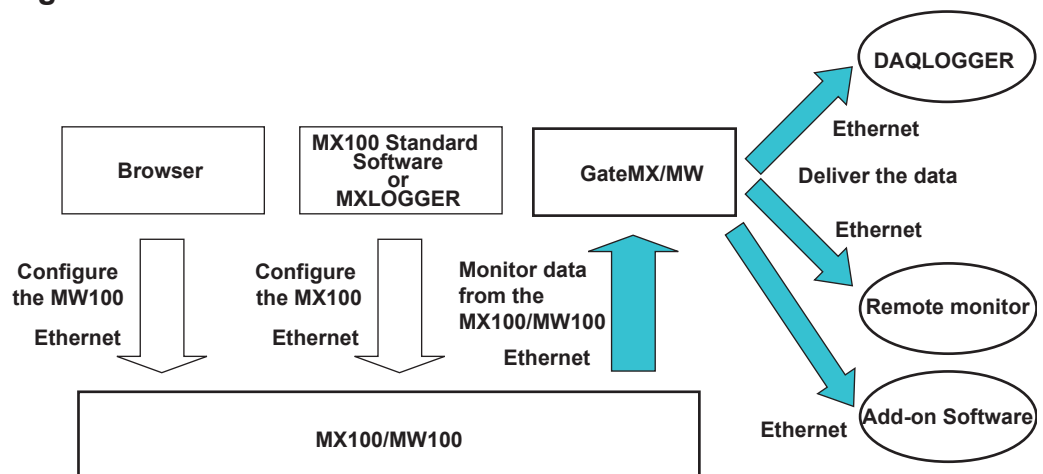


## System Configuration



It is recommended that GateMX/MW and DAQLOGGER be run on different PCs to distribute the load.

## Software Configuration



GateMX/MW monitors data from multiple MX100s/MW100s that are connected. It also acts as a monitor server to deliver the data to DAQLOGGER, remote monitors, or Add-on Software.

GateMX/MW does not contain functions for configuring the MX100/MW100. To configure the MX100, use the MX100 Standard Software that comes standard with the MX100 or MXLOGGER, a software program sold separately. Enter MW100 settings using the browser. In addition, GateMX/MW does not contain computation functions.

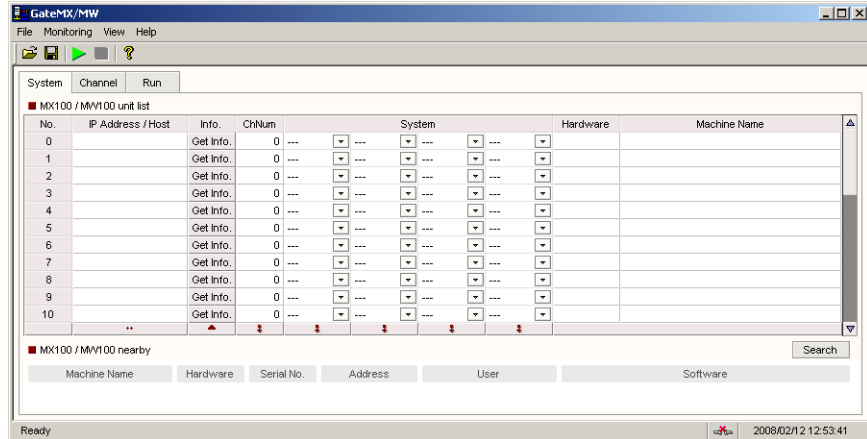
# 2.1 Starting and Exiting GateMX/MW

## Procedure

### Starting GateMX/MW

Choose **Programs > YOKOGAWA DAQWORX > GateMXMW > GateMXMW** from the Windows Start menu.

The window shown below opens.

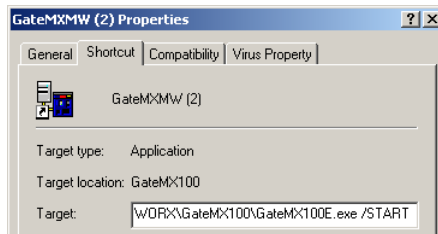


### Note

- GateMX/MW starts up in the condition that existed immediately before you closed GateMX/MW the previous time.
- If the program is closed while a process or service is running, the license will be considered to be "in use." If the message, "Invalid license number. Please reinstall." appears when restarting the program, it may indicate that the user is attempting to run a Gate program in excess of the number of available licenses.

### Starting GateMX/MW in Acquisition Start Mode

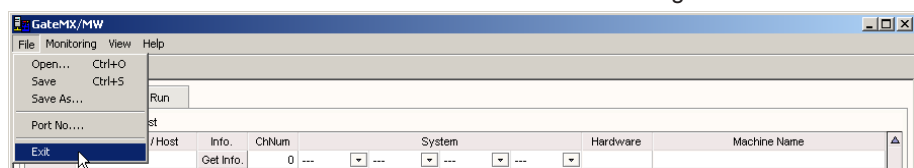
1. From the Windows Start menu, choose **Programs > YOKOGAWA DAQWORX > GateMX/MW > GateMX/MW**, then right-click GateMXMW and select Create Shortcut.
2. Right-click the shortcut icon and select Properties.
3. Choose the Shortcut tab, then add /START to the right of the path in the Target box and click OK.



4. Choose the shortcut from the Windows Start menu. The connection status of the previous session is restored, and acquisition begins.

### Exiting GateMX/MW

Choose **Exit** from the **File** menu or click the "X" button at the right corner of the title bar.



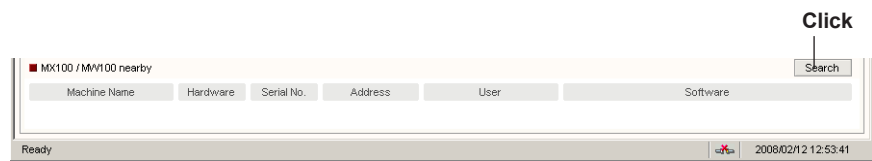
## 2.2 Registering MX100s/MW100s

Before carrying out the procedure below, connect the target MX100/MW100 to the Ethernet network and turn its power ON. Configure the MX100 in advance using the MX100 Standard Software that comes standard with the MX100 or MXLOGGER, a software program sold separately. Enter MW100 settings using the browser.

### Procedure

1. Click the **Search** button.

MX100s connected to the network are listed under MX100 nearby

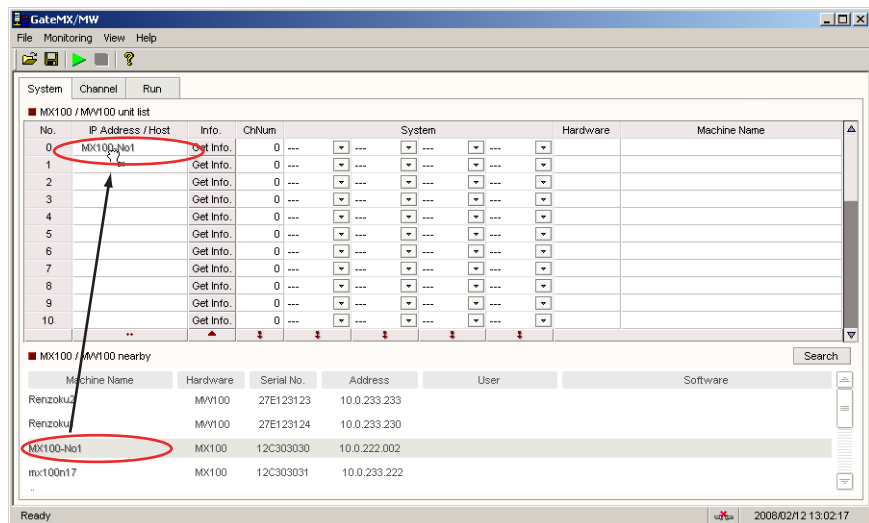


### Note

If a user is already connected to an MX100/MW100, the corresponding computer name and MX100/MW100 software application name are displayed under the User and Software columns, respectively. You cannot use GateMX/MW to connect to an MX100/MW100 that already has a connected user.

2. Drag the machine name of the MX100/MW100 you wish to connect from the MX100/MW100 nearby list and drop it onto the MX100/MW100 unit list area.

When registered, the IP address of the target MX100/MW100 appears in the IP Address/Host column in the MX100/MW100 unit list area.



**Note**

- You can also register MX100s by entering the IP address or host name directly in the IP Address/Host column.
- As shown in the figure below, you can select multiple numbers in the No. column and click the button below the IP Address/Host column to register incrementing IP addresses starting from the IP address of the first number in the selected range. If a host name is displayed for the first number in the selected range, the same host name is registered for all the numbers in the selected range.

Select

MX100 / MW100 unit list

| No. | IP Address / Host | Info.     | ChNum | System | Hardware | Machine Name |
|-----|-------------------|-----------|-------|--------|----------|--------------|
| 0   | 192.168.10.100    | Get Info. | 0     | ---    | ---      |              |
| 1   |                   | Get Info. | 0     | ---    | ---      |              |
| 2   |                   | Get Info. | 0     | ---    | ---      |              |
| 3   |                   | Get Info. | 0     | ---    | ---      |              |
| 4   |                   | Get Info. | 0     | ---    | ---      |              |
| 5   |                   | Get Info. | 0     | ---    | ---      |              |
| 6   |                   | Get Info. | 0     | ---    | ---      |              |
| 7   |                   | Get Info. | 0     | ---    | ---      |              |
| 8   |                   | Get Info. | 0     | ---    | ---      |              |
| 9   |                   | Get Info. | 0     | ---    | ---      |              |
| 10  |                   | Get Info. | 0     | ---    | ---      |              |



MX100 / MW100 unit list

| No. | IP Address / Host | Info.     | ChNum | System | Hardware | Machine Name |
|-----|-------------------|-----------|-------|--------|----------|--------------|
| 0   | 192.168.10.100    | Get Info. | 0     | ---    | ---      |              |
| 1   | 192.168.10.101    | Get Info. | 0     | ---    | ---      |              |
| 2   | 192.168.10.102    | Get Info. | 0     | ---    | ---      |              |
| 3   | 192.168.10.103    | Get Info. | 0     | ---    | ---      |              |
| 4   |                   | Get Info. | 0     | ---    | ---      |              |
| 5   |                   | Get Info. | 0     | ---    | ---      |              |
| 6   |                   | Get Info. | 0     | ---    | ---      |              |
| 7   |                   | Get Info. | 0     | ---    | ---      |              |
| 8   |                   | Get Info. | 0     | ---    | ---      |              |
| 9   |                   | Get Info. | 0     | ---    | ---      |              |
| 10  | ..                | Get Info. | 0     | ---    | ---      |              |

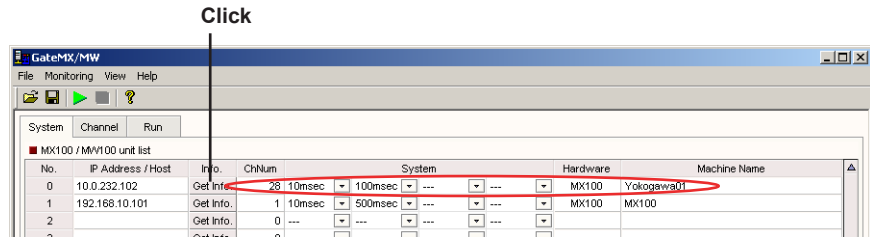
Click

## 2.3 Retrieving Information about the Target MX100s/MW100s and Setting the Number of Channels and the Monitor Interval

Before carrying out the procedure below, register the target MX100s in advance according to the instructions given in section 2.2, "Registering MX100s/MW100s."

### Procedure

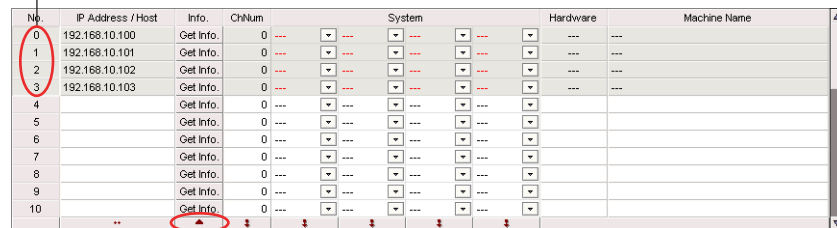
1. Click the **Get Info.** button in the Info column in the MX100/MW100 unit list area. When the retrieval of the information is complete, the MX100/MW100 machine name appears in the Machine Name column.



### Note

- If the MX100/MW100 from which you are attempting to retrieve information is already connected by another user or if the MX100/MW100 does not exist on the network, the information cannot be retrieved. The number of the channel is displayed as 0 and the system, hardware, and machine name do not appear.
- As shown in the figure below, you can select multiple numbers in the No. column and click the button below the Info. column to retrieve information of multiple registered units.

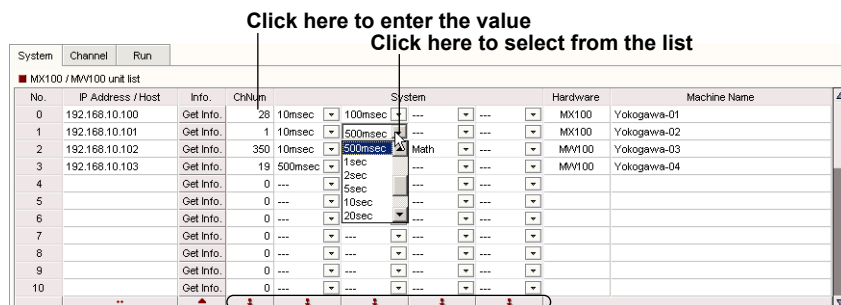
#### 1. Select



#### 2. Click

- The information is retrieved again from the registered MX100/MW100 when data monitoring is started.

2. To change the number of channels after information is retrieved, click in the Num. of Ch. column and enter the number. If you wish to change the monitor interval settings, click the button in the System column to display the list and select a monitor interval. When the number of channels is changed, the display in the Channel tab will be modified.



Copy the settings of the first channel  
in the selected range to all other channels in the range

## 2.3 Retrieving Information about the Target MX100s/MW100s and Setting the Number of Channels and the Monitor Interval

### Note

You can set multiple monitor intervals in the same system. If the same monitor interval is set for the MW100, it is assigned to each system in order from smallest measurement group number. Also, if the number of same monitor intervals is greater than the actual number of measurement groups, only the actual number of measurement groups is valid.

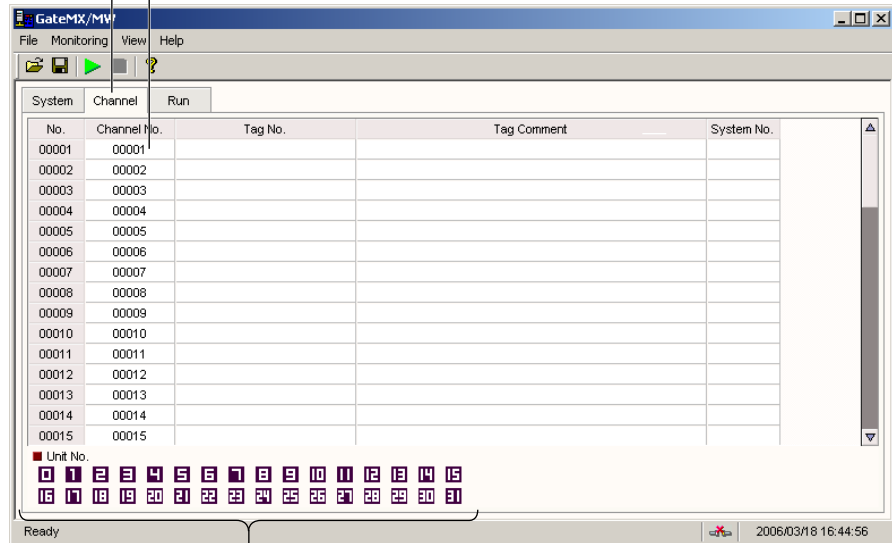
2. To display channel information, click the **Channel** tab.

You can also choose **Channel** from the **View** menu.

Click

Highest two digit: Registered unit number

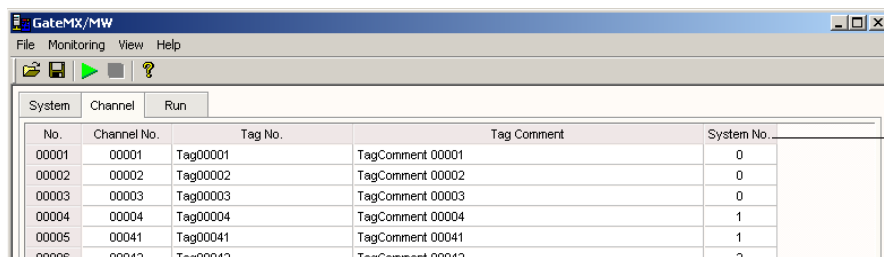
Lowest three digit: Channel number (000 to 099), Math channel (more than 100)



Click the number to highlight the channel information of the corresponding unit

### Note

- The channel information is displayed only for channels that are set to acquire data in the MX100/MW100 settings.
- If the number of channels set in step 2 exceeds the actual number of channels that exists in the MX100/MW100, the portion of nonexistent channels is left blank. If the number of channels is less than the actual number of MX100/MW10 channels, only the set channels are displayed.
- If the connection fails, the channel information for the corresponding MX100/MW100 appears as a blank line.
- If the channels of the modules installed to the MX100/MW100 do not match the channels displayed in the Channel tab, perform reconfiguration using the MX100 Standard Software or the Browser.
- The System No. from the channel information display is shown when information is retrieved or when setting the System column in the System Configuration screen.
- Click System No. to sort the channel information by system number. Click System No. again to sort the channel information by channel number.



Click here to sort the channel information by system number

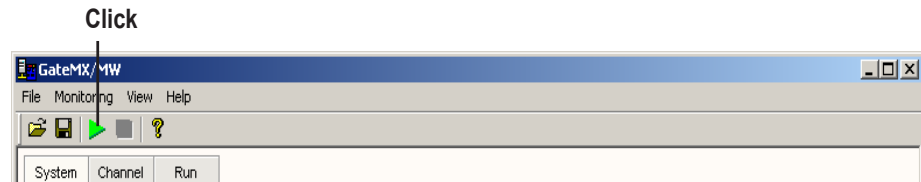
## 2.4 Starting/Stopping Data Monitoring

Before carrying out the procedure below, retrieve the channel information of the target MX100s in advance according to the instructions given in section 2.3, "Retrieving Information about the Target MX100s/MW100s."

### Procedure

#### Starting Data Monitoring

Click the Start Monitoring button or choose **Start Monitoring** from the **Monitoring** menu.



#### Note

- If GateMX/MW is connected to the MX100, Backup mode will not be enabled when the communication is cut while monitoring data. Even if the /DS option is enabled, the Dual Save feature will not operate.
- If the initial communication with the target fails, retry ten seconds after the communication failure is confirmed. Additional time is required from the start of communication until the failure is recognized.

#### Displaying Run Status While Monitoring Data

Click the **Run** tab.

You can also choose **Run** from the **View** menu.

Click

| System No. | Unit No. | Channel Range | Interval | Num. of Ch. | Status |
|------------|----------|---------------|----------|-------------|--------|
| 0          | 00       | 00001 - 00004 | 10 msec  | 4           | Green  |
| 1          | 00       | 00011 - 00044 | 100 msec | 24          | Green  |
| 2          | 00       | -----         | 200 msec | 0           | Red    |
| 3          | 00       | -----         | (Math)   | 0           | Red    |

**Acquisition Status**  
**Green: Normal (running)**  
**Red: Error (stopped, not able to connect, or there is no corresponding channel to monitor data.)**

The number of channels assigned to the same monitor interval

Monitor interval specified on the MX100

The maximum and minimum channel numbers of the channel range assigned to the same monitor interval.

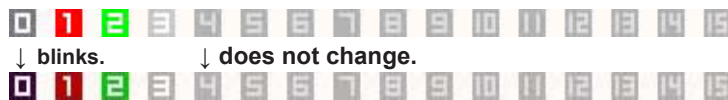
Number registered in the MX100 unit list under System.

Assigned system number

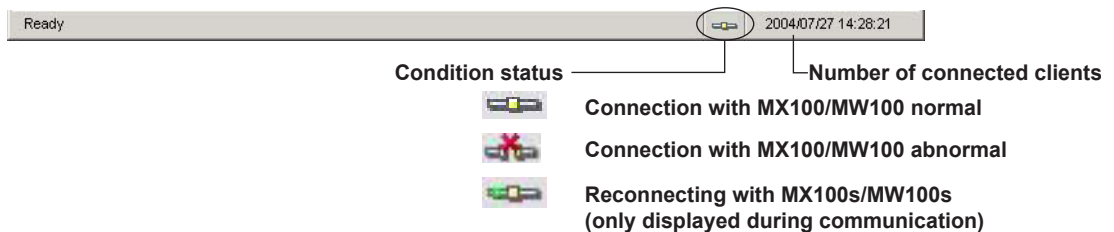
**Note**

- The color of the unit numbers under Communication Status indicates the following conditions.
  - 44** Gray (characters in dark gray): There is no IP address or host name specified for the MX100/MW100 with that unit number (specification is blank). Or, there is an IP address or host name specified but the number of channels and system is not specified.
  - 22** Green: Communication with the MX100/MW100 is normal, and data is being monitored.
  - 11** Red: There is an IP address or host name specified for the MX100/MW100 with that unit number, but the connection failed. Or, communication was cut while monitoring data, and now attempting to reconnect.
  - 00** Black: There was an IP address or host name specified for the MX100 with the unit number and connection succeeded, but there were no channels set to acquire data.

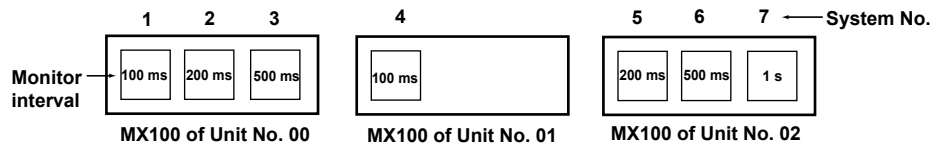
If the icon is displayed in red, try the connection again. If reconnection is successful, the icon turns green and acquisition resumes. When acquisition stops, all characters turn gray (characters in dark gray). When acquisition resumes, registered items blink. The gray color of unregistered items remains unchanged (characters in dark gray).



- The status of GateMX/MW is displayed in the status bar. You can check the communication status displayed in the Run tab.



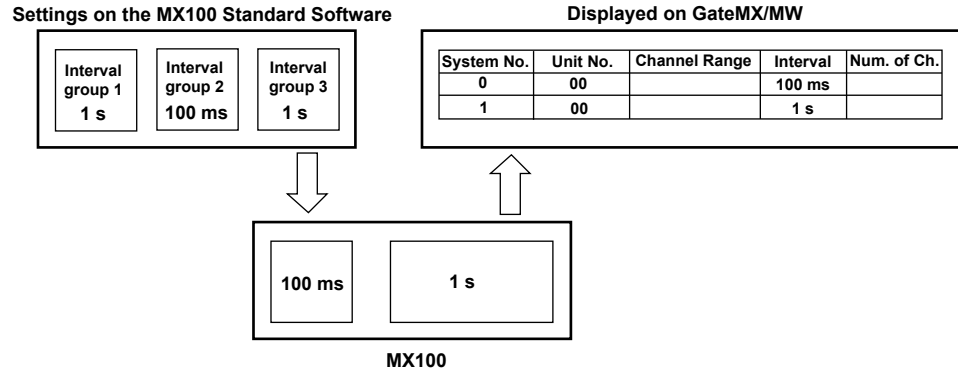
- System numbers are assigned on the GateMX/MW System Configuration screen as shown in the figure below. Since four monitor intervals can be specified on each MX100/MW100, the system numbers are assigned in the range from 0 to 127.



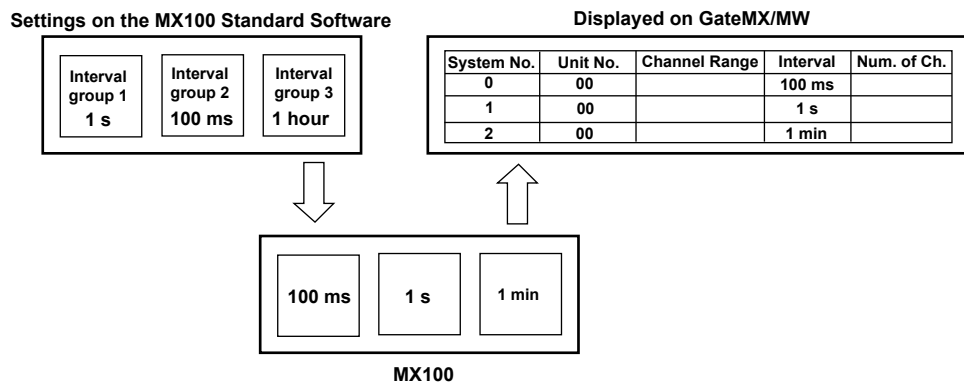
- Interval groups with the same monitor interval can be configured on the MX100 Standard Software (See the *MX100 Standard Software User's Manual (IM MX180-01E)*). A single interval group is displayed as a single system on GateMX/MW.



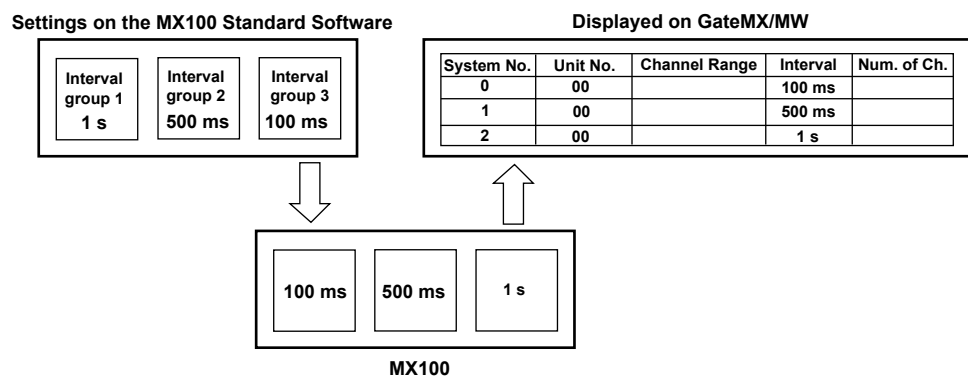
## 2.4 Starting/Stopping Data Monitoring



- If a monitor interval longer than 1 minute is specified on the MX100 Standard Software, the monitor interval on the MX100 is set to 1 minute and the monitor interval longer than 1 minute is achieved by decimating the data on the MX100 Standard Software. Therefore, even if a monitor interval longer than 1 minute is specified on the MX100 Standard Software, the monitor interval is displayed as 1 minute on GateMX/MW, and the data is monitored at 1-minute intervals.

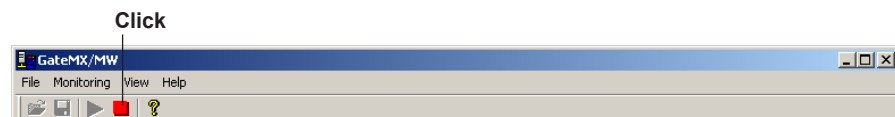


- If the interval group of different monitor intervals are set on the MX100 Standard Software, the MX100 sorts them by monitor intervals from fastest to slowest. Consequently, the GateMX/MW also assigns system numbers in order from fastest to slowest monitor interval when retrieving the information on the System Configuration screen. If the system is set or changed on the System Configuration screen, the system numbers are assigned in the set order.



### Stopping Data Monitoring

Click the Stop Monitoring button or choose **Stop Monitoring** from the **Monitoring** menu.



## 2.5 Connecting to GateMX/MW from DAQLOGGER, Remote Monitor, or Add-on Software

While data is being monitored by GateMX/MW, DAQLOGGER and remote monitors can log or monitor the MX100/MW100 data via the Ethernet network. GateMX/MW operates as a monitor server for DAQLOGGER, remote monitor clients, and Add-on software.

### Connecting to GateMX/MW from DAQLOGGER

See section 2.6 in the *WX101 DAQLOGGER WX81 DAQLOGGER Client Package User's Manual (IM WX101-01E)*.

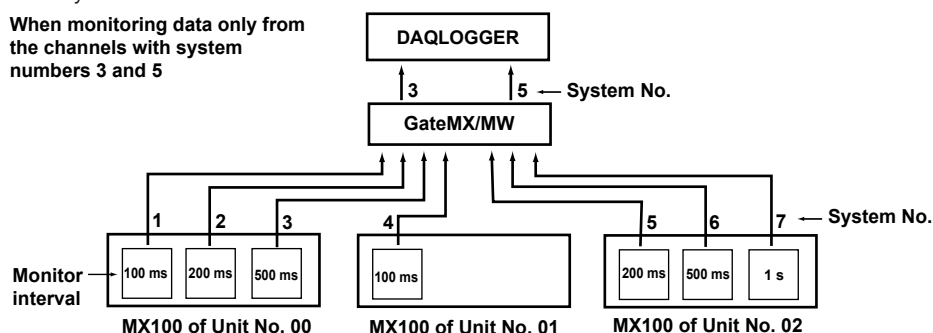
#### Note

There are two methods to connect to GateMX/MW from DAQLOGGER. One method is to specify the system number; the other is not to specify the system number. For the procedure of selecting the connection method, see section 2.6 in the *WX101 DAQLOGGER WX81 DAQLOGGER Client Package User's Manual (IM WX101-01E)*.

- **Connecting to GateMX/MW by specifying the system number**

Of the MX100s/MW100s connected to GateMX/MW, only the channel data with the specified system number is monitored.

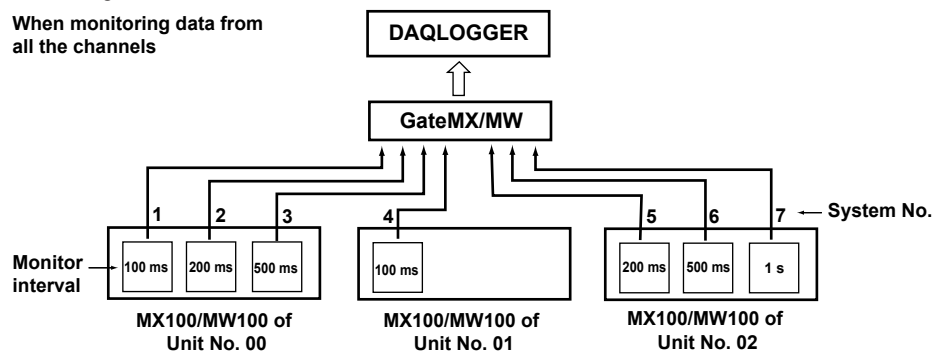
**When monitoring data only from the channels with system numbers 3 and 5**



- **Connecting to GateMX/MW without specifying the system number**

The data of all the channels of the MX100s/MW100s connected to GateMX/MW is monitored using one connection.

**When monitoring data from all the channels**



### Connecting to GateMX/MW from the remote monitor

If you are connecting to GateMX/MW from the remote monitor of the DAQLOGGER Client Package, see section 8.1 in the *WX101 DAQLOGGER WX81 DAQLOGGER Client Package User's Manual (IM WX101-01E)*.

If you are connecting to GateMX/MW from the remote monitor of the DAQ32Plus Client Package, see section 9.2 in the *WX102 DAQ32Plus WX82 DAQ32Plus Client Package User's Manual (IM WX102-01E)*.

### Connecting to GateMX/MW from the Add-on Software

If you are connecting to GateMX/MW from the Add-on software, see the user's manual for the relevant product.

## 2.6 Changing the Port Number and Saving the Settings

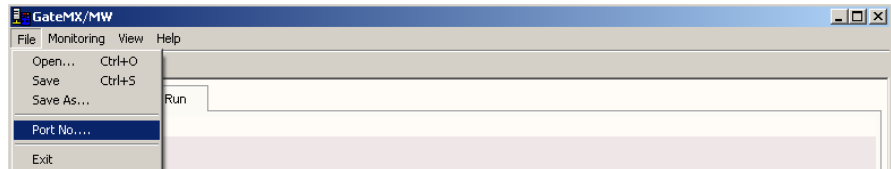
### Procedure

#### Changing the Port Number

Carry out the procedure below if you wish to change the TCP/IP port number that is used by DAQLOGGER or remote monitors to connect to GateMX/MW.

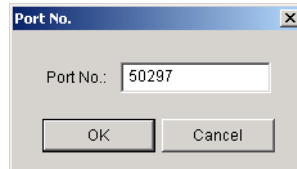
1. From the **File** menu, choose **Port No..**

The Port No. dialog box opens.



2. Enter the port number used for the monitor server.

The default value is 50297.



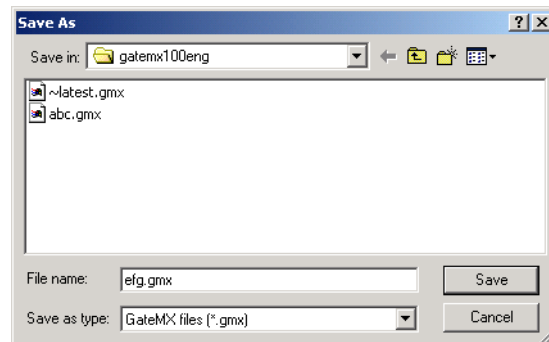
3. Click OK and restart GateMX/MW.

You must restart GateMX/MW to activate the new port number.

#### Saving the Settings

From the **File** menu, choose **Save** or **Save As**.

If you choose Save As, enter the file name in the dialog box that appears and save the file.



#### Note

If you choose Save when you have not saved to a specific file name before, the same dialog box that opens as when you choose Save As opens.

#### Changing to the Saved Settings

From the **File** menu, choose **Open**. Select and open the desired file in the dialog box that appears.

## 2.7 Showing Version Information

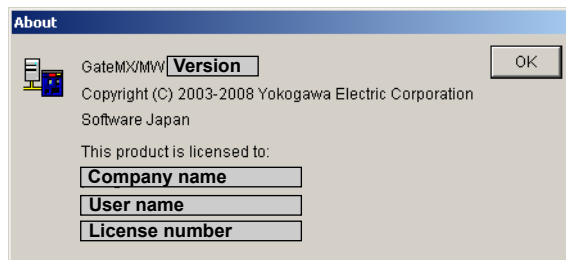
### Procedure

Click the About button on the toolbar or choose **About** from the **Help** menu.

#### Display version information



The About dialog box opens as shown below.



## 3.1 Error Messages and Corrective Actions

This section describes the messages and their corrective actions when errors occur.

| Code  | Description  | Action   |
|-------|--|--|
| E0002 | Insufficient memory. Please exit immediately.                                | Close other software programs and restart GateMX/MW. Or, restart Windows.  |
| E0211 | Cannot write to the file.  | Check whether there is sufficient space on the hard disk, whether writing is permitted, and whether the file system is operating normally.   |
| E4800 | The maximum limit of Gate programs running simultaneously has been exceeded. | The number of Gate programs that you can run simultaneously is limited by the Gate software license that you have purchased. Close a Gate program that is already running or purchase a new license and reinstall the program. |

# Index

## A

about button.....2-11

## C

channel..... 2-5  
communication status..... 2-7

## D

DAQLOGGER ..... 2-9  
data monitoring..... 2-6

## E

error messages..... 3-1  
exiting ..... 2-1

## F

functional overview ..... 1-1

## G

Get Info..... 2-4

## H

hardware requirements..... 1-2  
host..... 2-2

## I

info column ..... 2-4  
IP address ..... 2-2

## M

messages ..... 3-1  
Monitoring..... 2-6  
monitor interval ..... 2-7  
MX100/MW100 nearby..... 2-2  
MX100/MW100 unit list..... 2-2

## N

No. 2-4

## P

port number ..... 2-10

## R

registration..... 2-2  
remote monitor ..... 2-9  
Run ..... 2-6

## S

Save ..... 2-10  
Save As ..... 2-10  
Search ..... 2-2  
software configuration ..... 1-3  
software license..... ii  
software requirements ..... 1-2  
starting ..... 2-1  
Stop Monitoring ..... 2-8

stopping data monitoring ..... 2-8  
system configuration..... 1-3  
system number ..... 2-9  
system numbers ..... 2-7

## U

unit number..... 2-7